

B: Dimensional Diagrams

Introduction

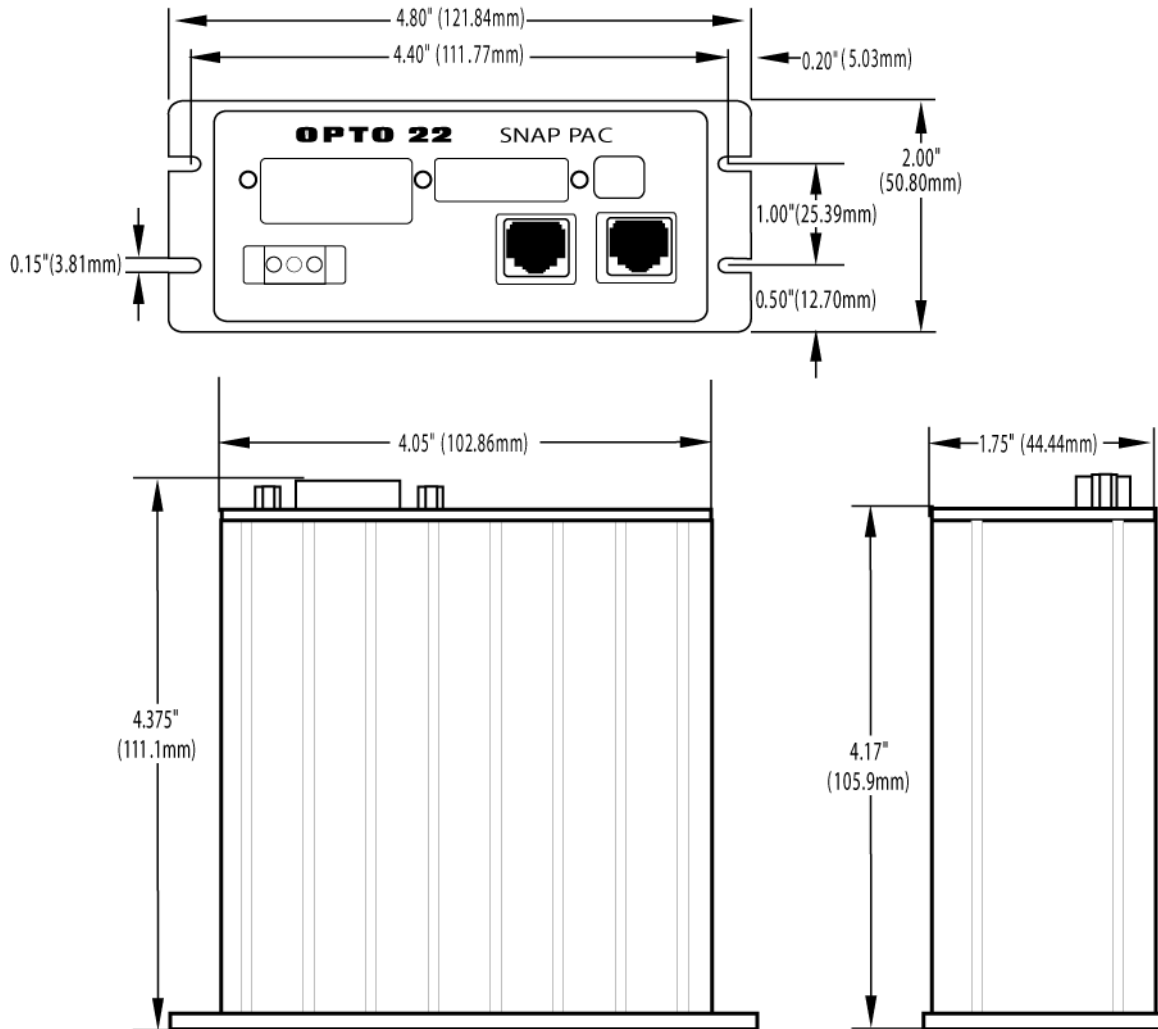
This appendix includes dimensional diagrams for SNAP PAC System hardware:

SNAP PAC controllers	page 154
SNAP PAC brains	page 160
SNAP power supplies	page 163
SNAP digital I/O modules	page 165
SNAP high-density digital modules	page 169
SNAP analog I/O modules	page 171
SNAP serial modules	page 180
Breakout boards	page 185

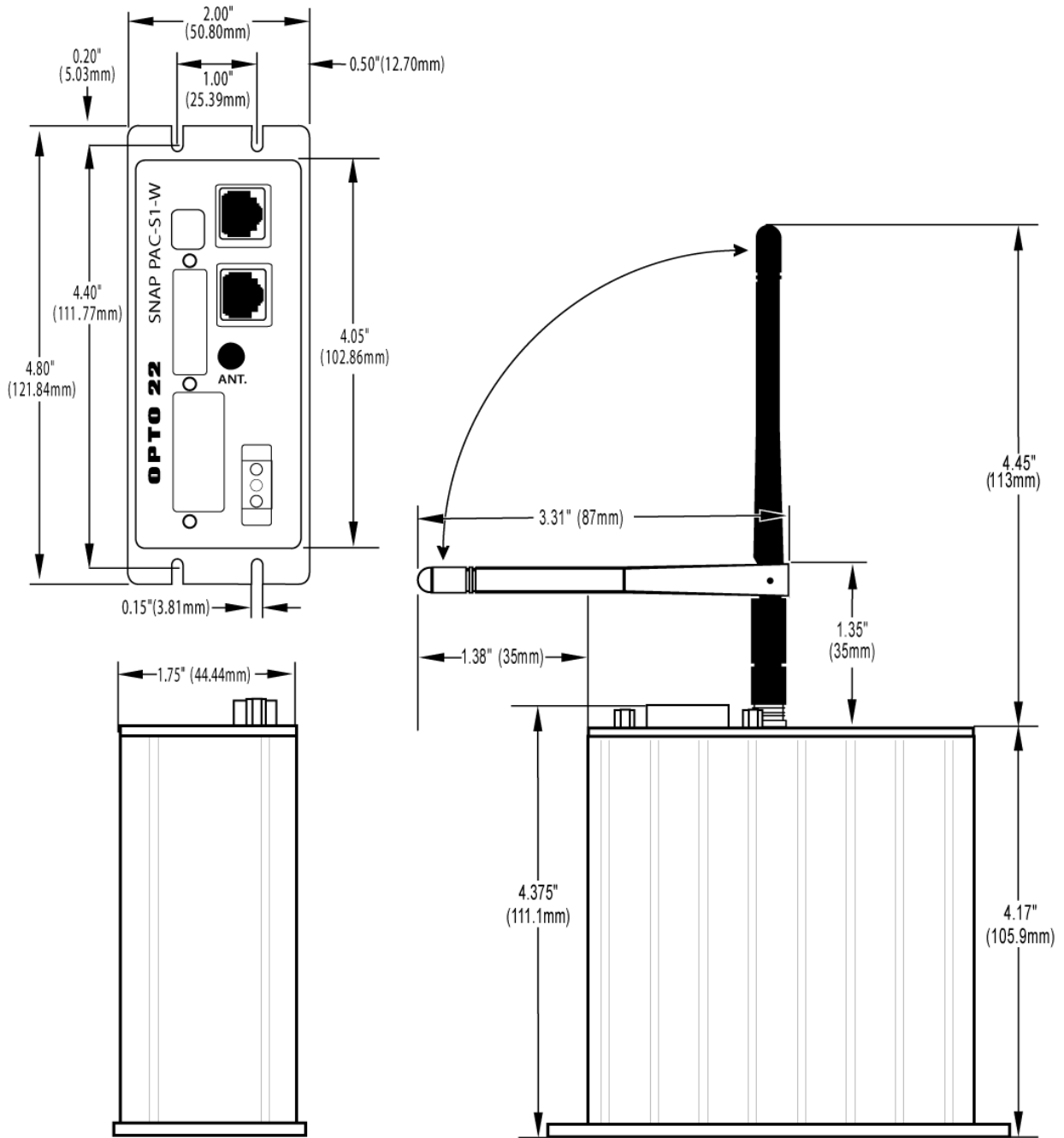
For N-TRON switch and access point dimensions, see the data sheet for the part number. Data sheets are available on our website, www.opto22.com.

SNAP PAC Controller Diagrams

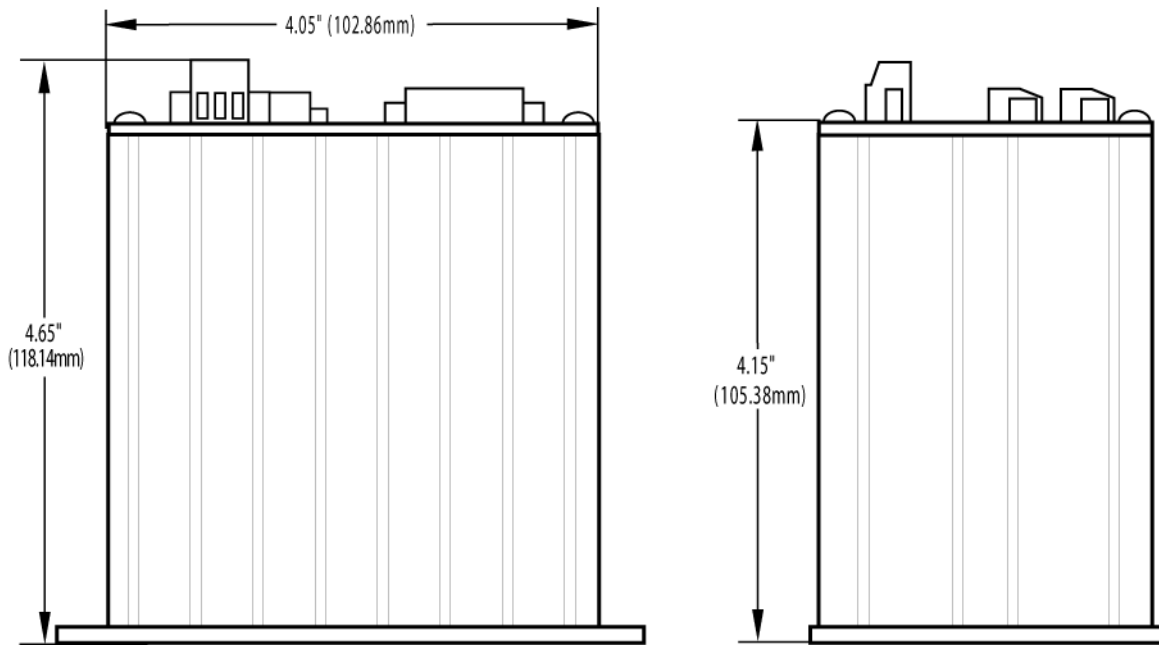
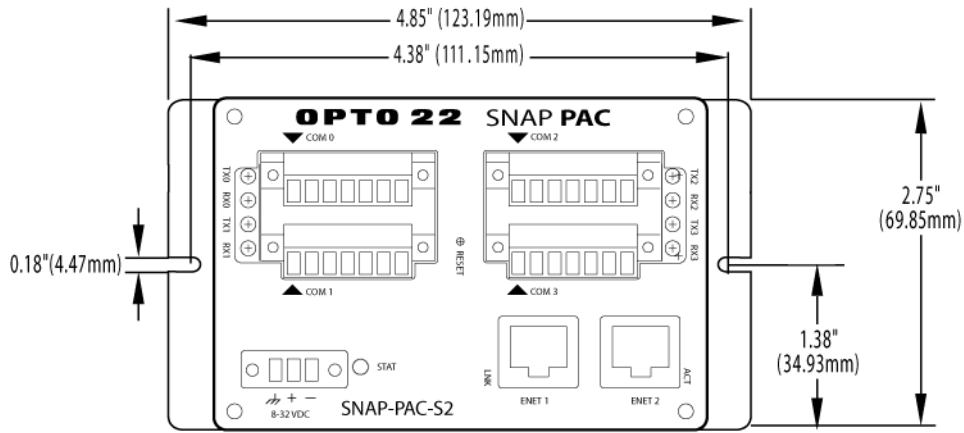
SNAP-PAC-S1 and SNAP-PAC-S1-FM Standalone Controller



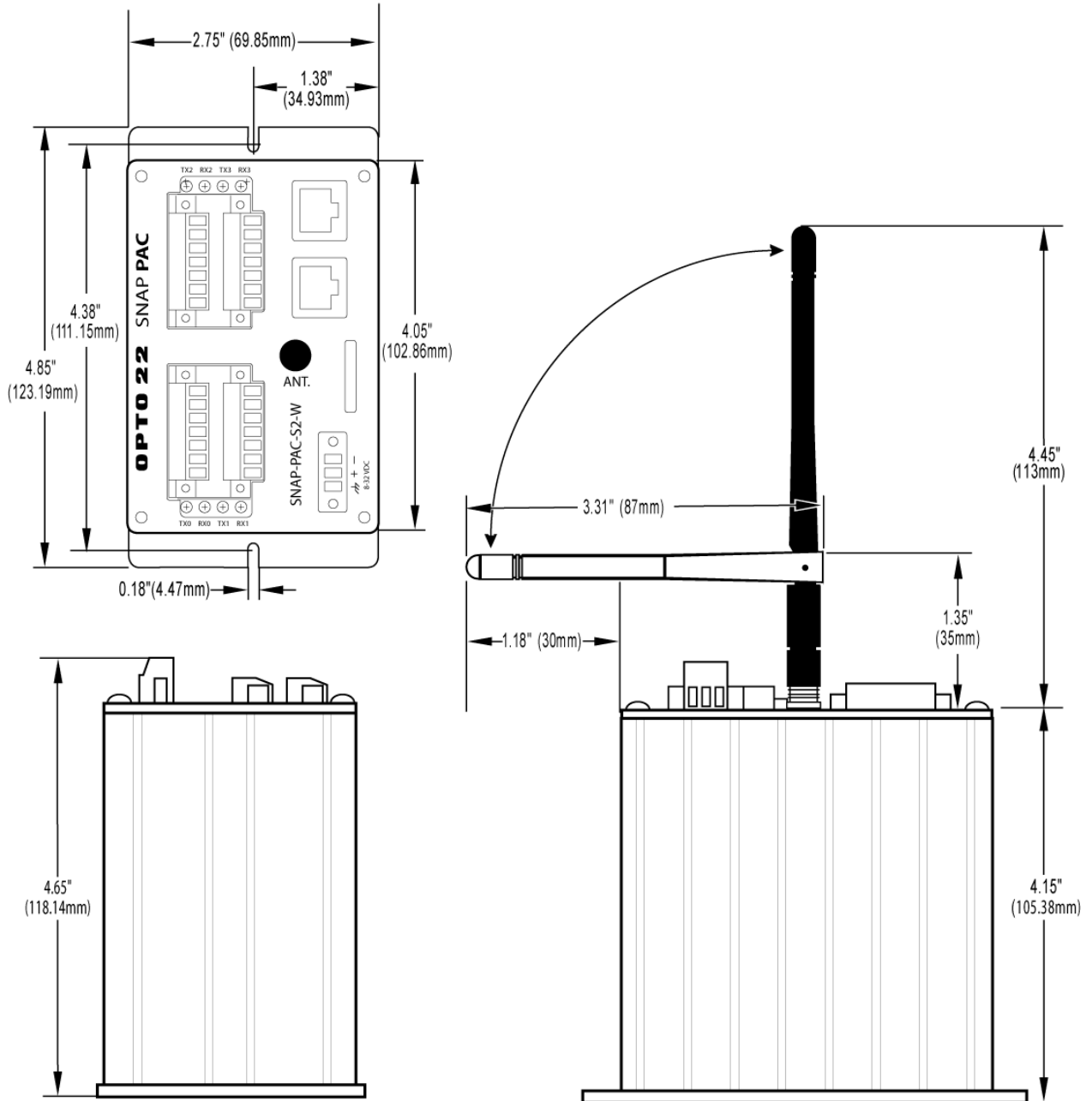
SNAP-PAC-S1-W Standalone Controller



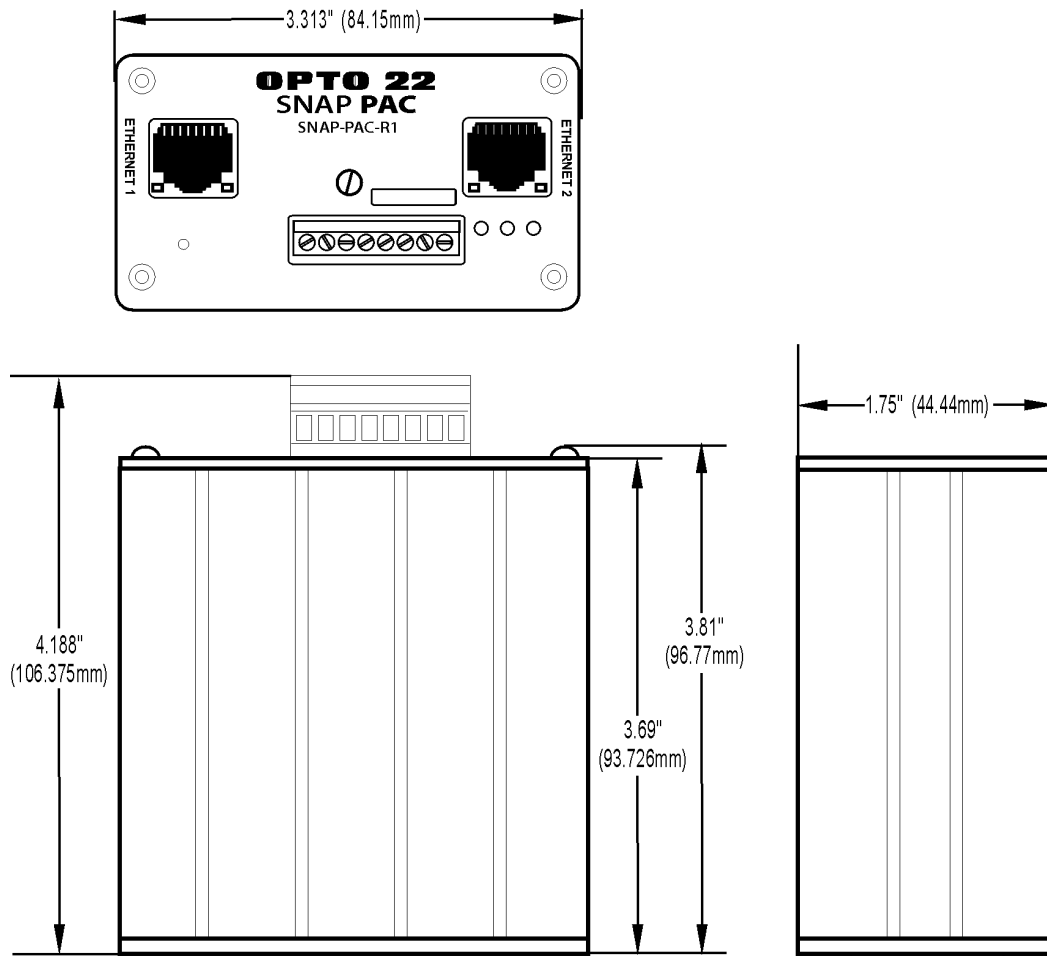
SNAP-PAC-S2 Standalone Controller



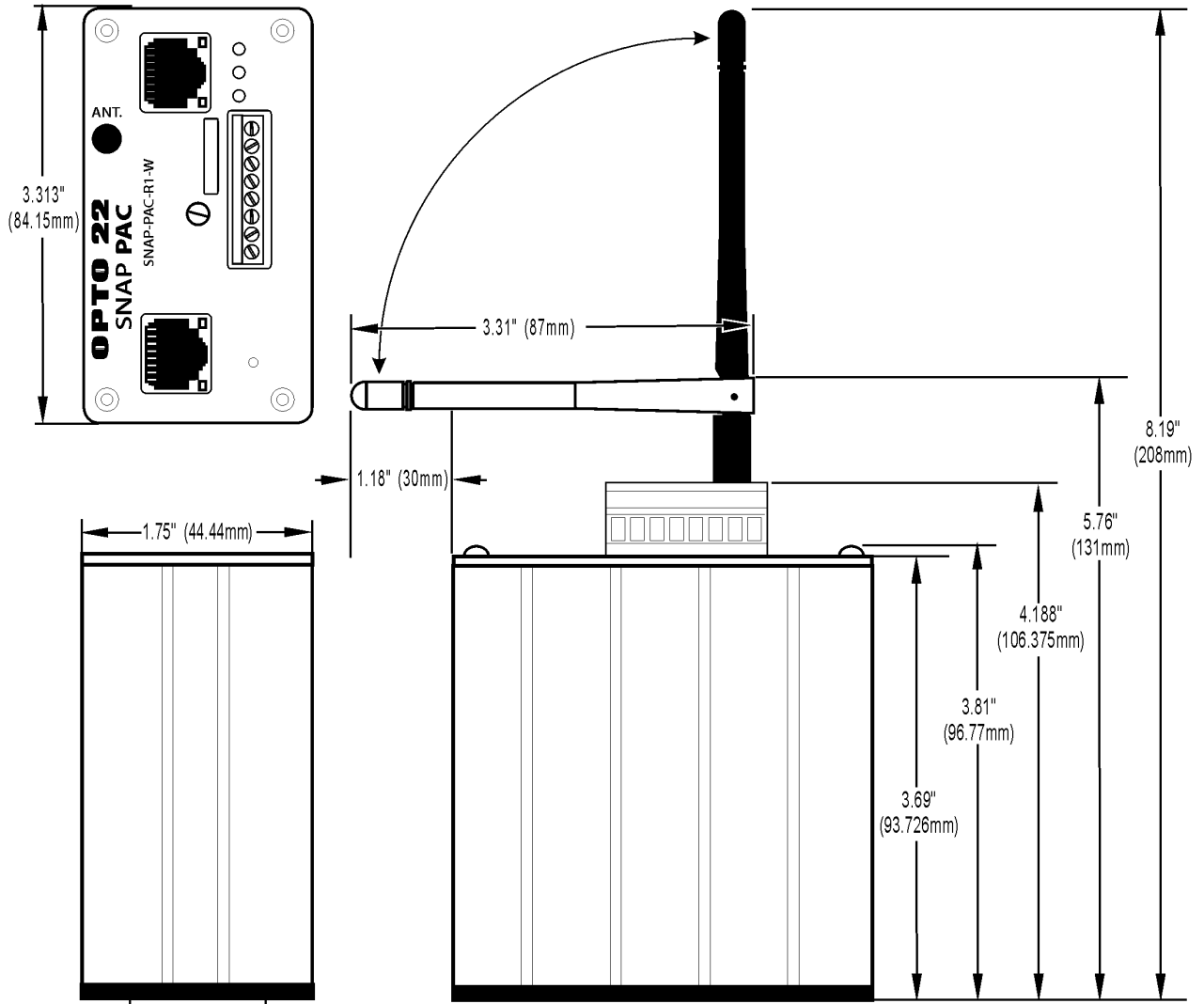
SNAP-PAC-S2-W Standalone Controller



SNAP-PAC-R1, SNAP-PAC-R1-FM, SNAP-PAC-R2, and SNAP-PAC-R2-FM Rack-mounted Controllers

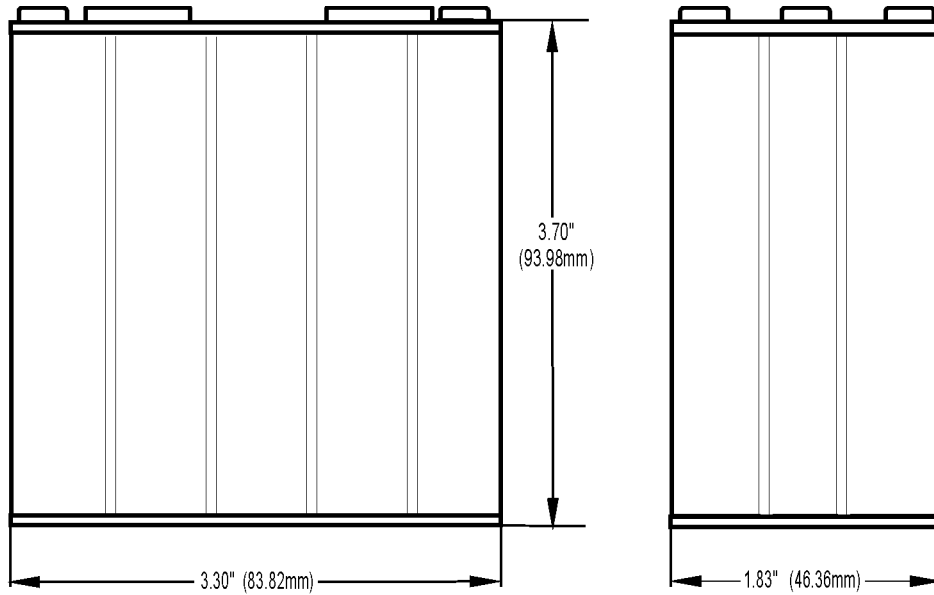


SNAP-PAC-R1-W and SNAP-PAC-R2-W Rack-mounted Controllers

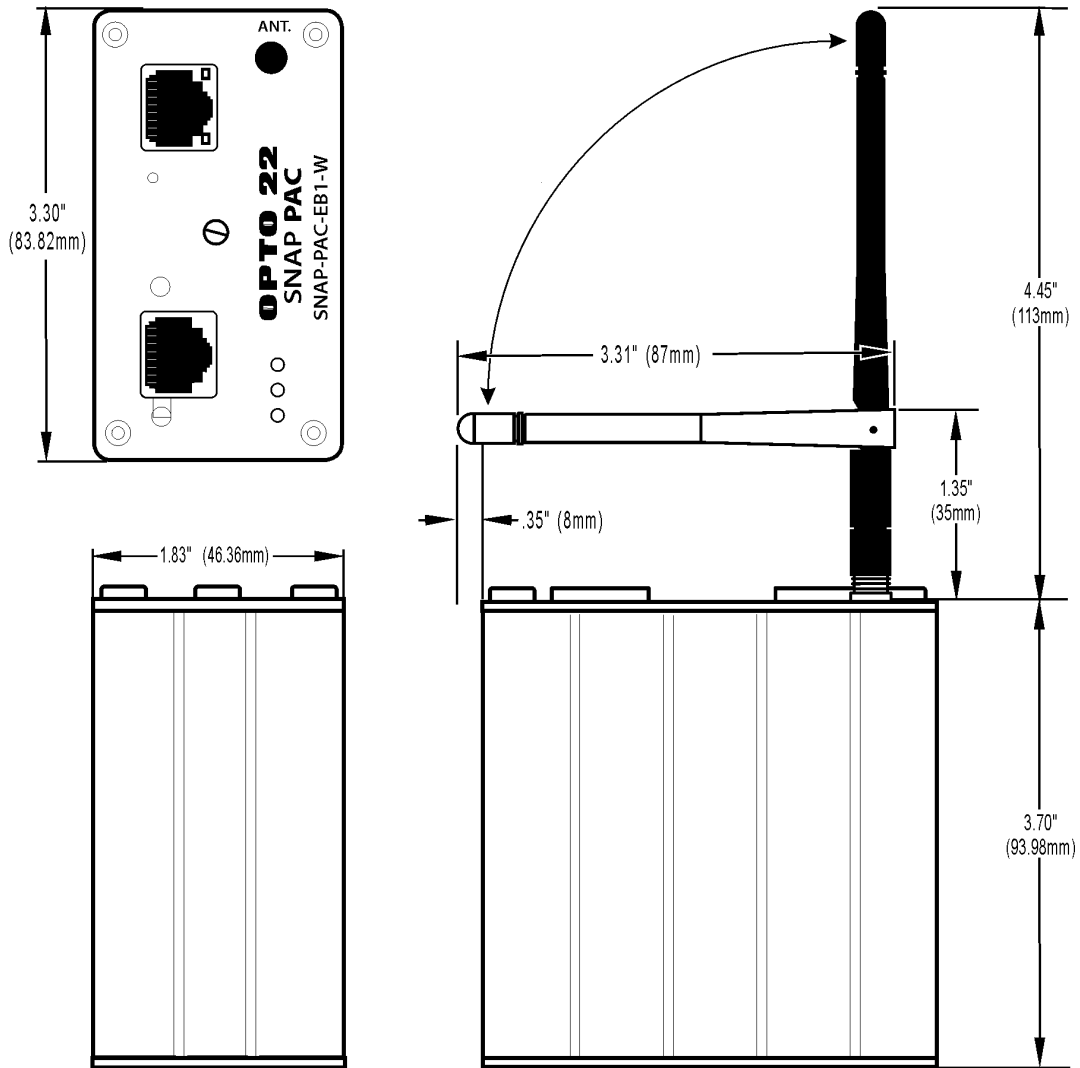


SNAP PAC Brain Diagrams

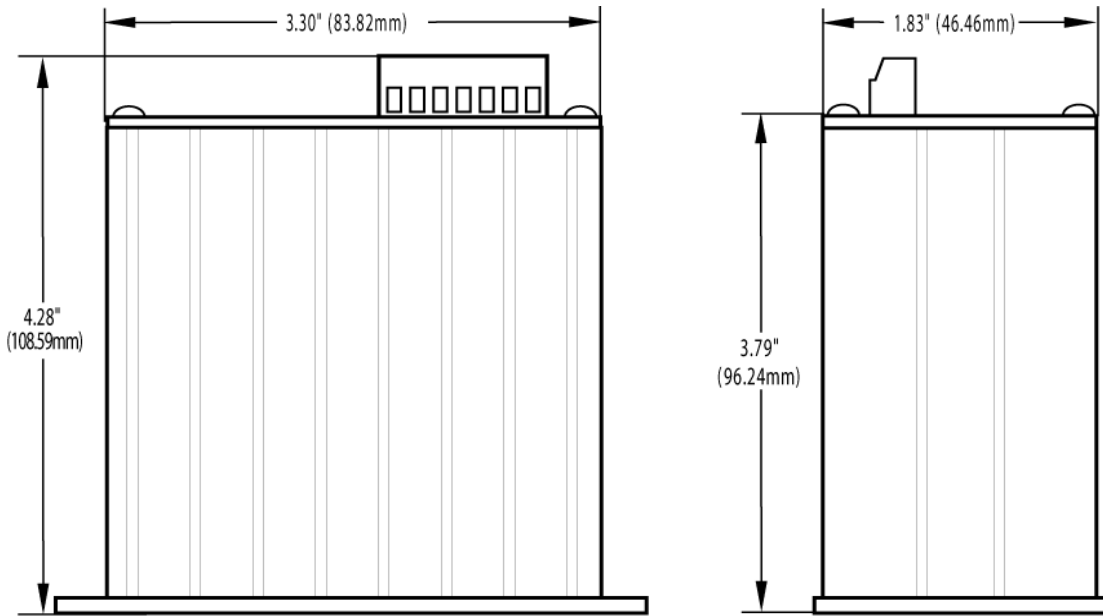
SNAP-PAC-EB1, SNAP-PAC-EB1-FM, SNAP-PAC-EB2, and SNAP-PAC-EB2-FM Ethernet Brains



SNAP-PAC-EB1-W and SNAP-PAC-EB2-W Ethernet Brains

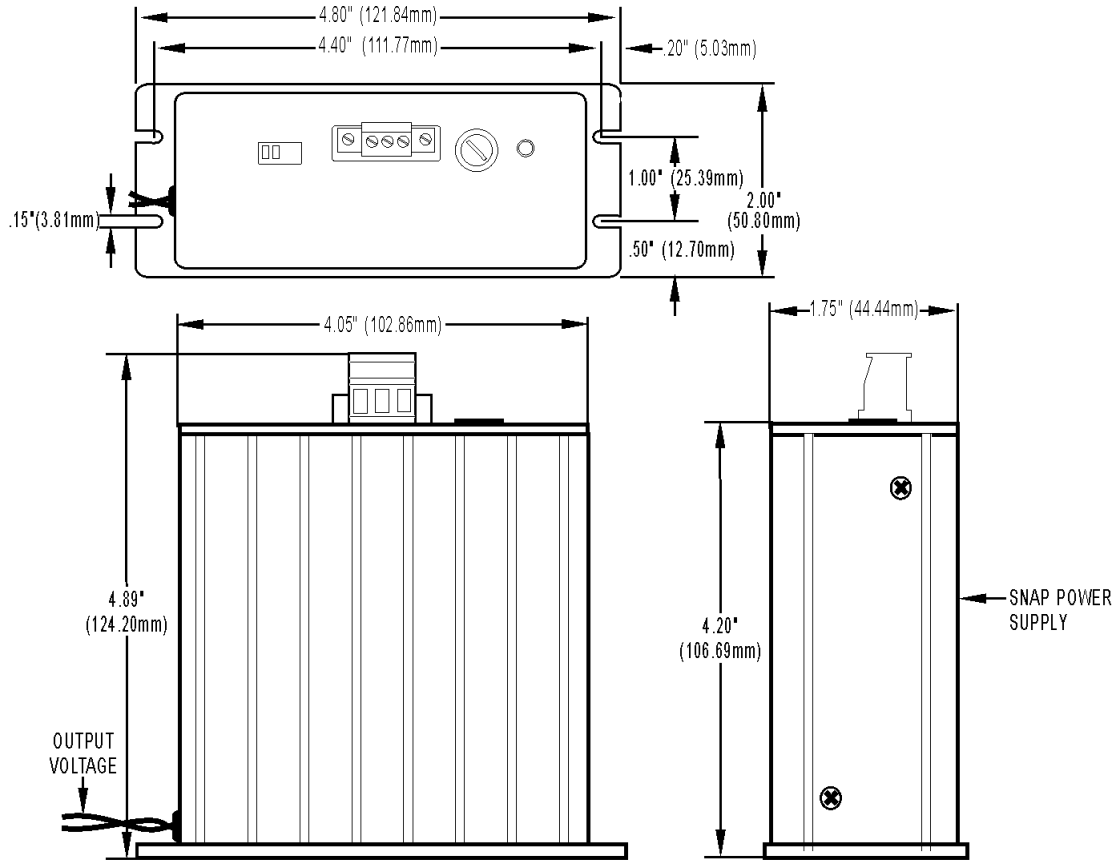


SNAP-PAC-SB1 and SNAP-PAC-SB2 Serial Brains

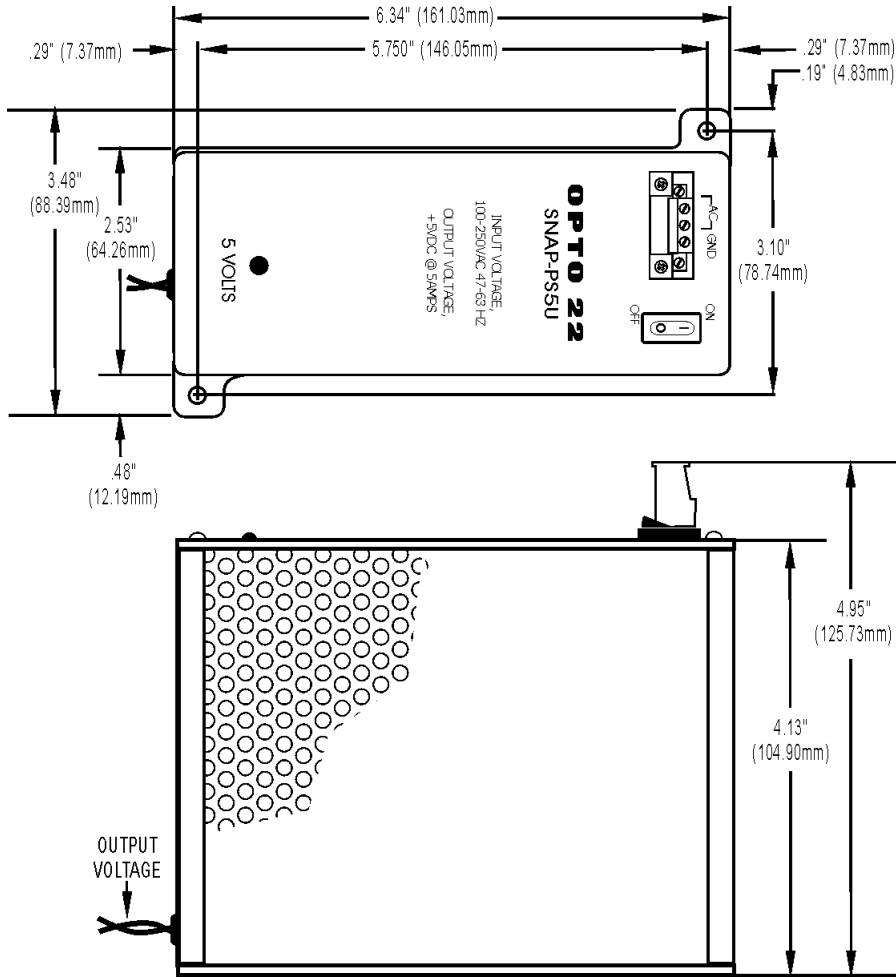


SNAP Power Supplies Diagrams

SNAP-PS5, SNAP-PS24, and SNAP-PS5-24DC

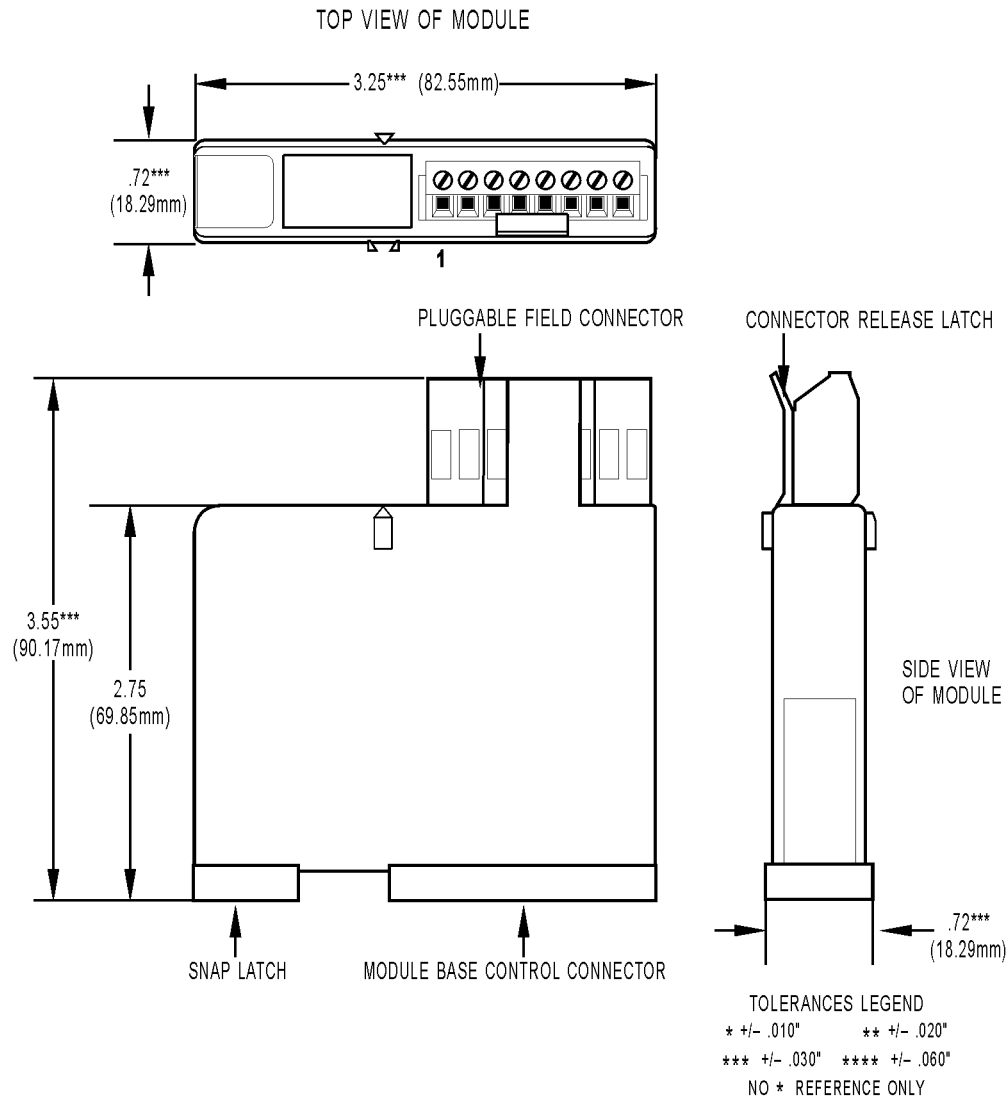


SNAP-PS5U and SNAP-PS24U



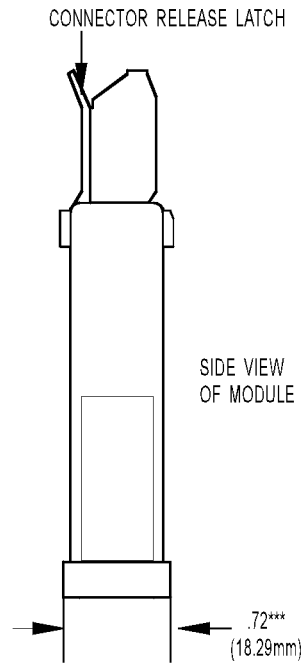
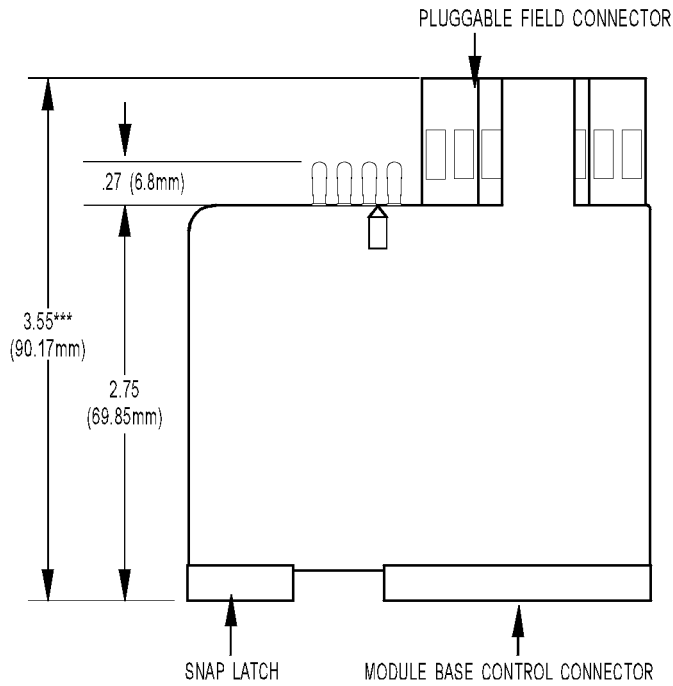
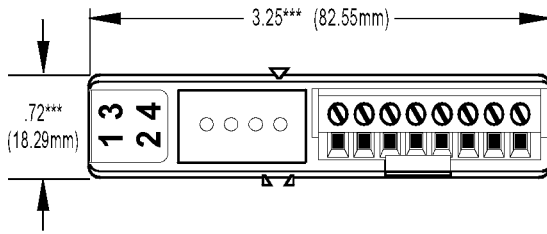
SNAP Digital I/O Modules Diagrams

SNAP Digital Input Modules—All Modules except MA



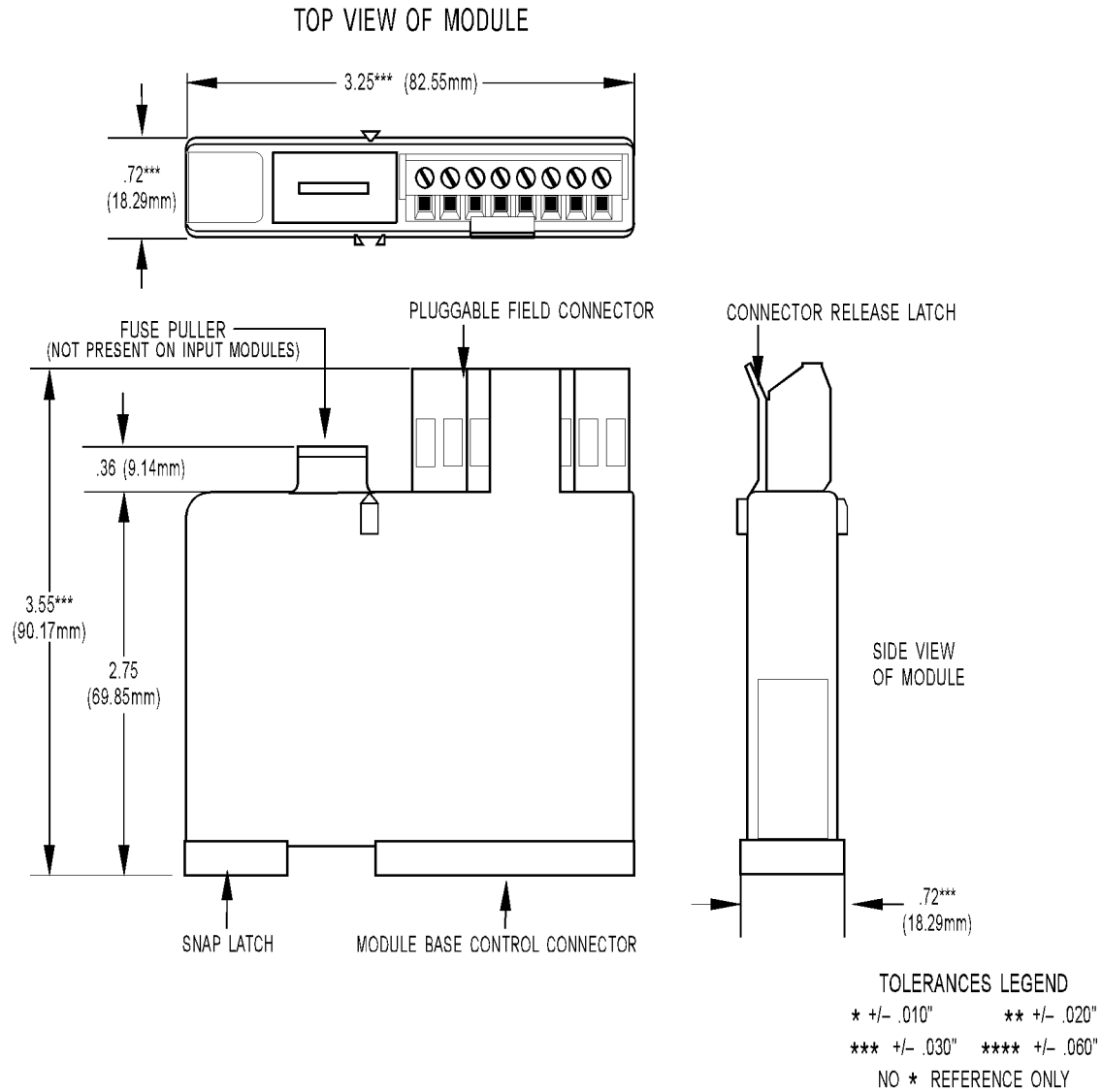
SNAP Digital Input Modules—MA Modules

TOP VIEW OF MODULE



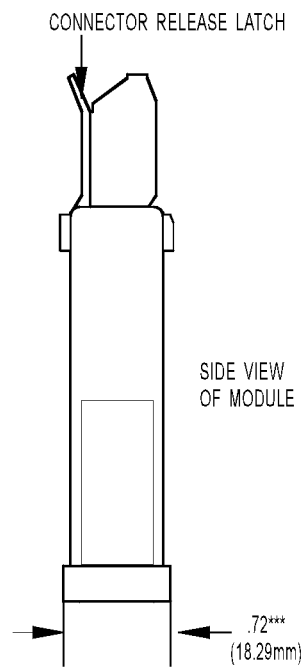
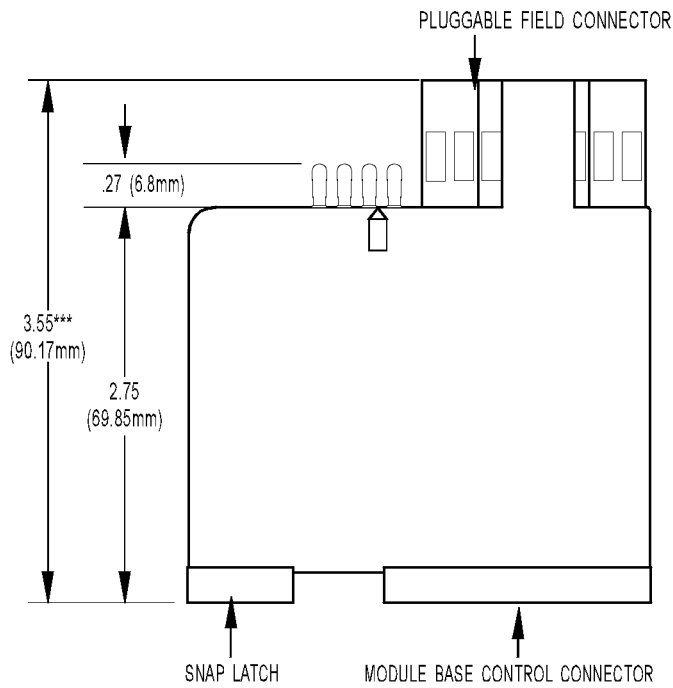
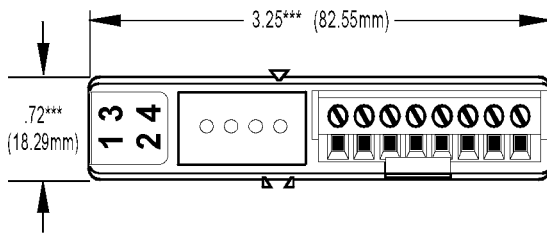
TOLERANCES LEGEND
 * +/- .010" ** +/- .020"
 *** +/- .030" **** +/- .060"
 NO * REFERENCE ONLY

SNAP Digital Output Modules—All Modules except MA



SNAP Digital Output Modules—MA Modules

TOP VIEW OF MODULE



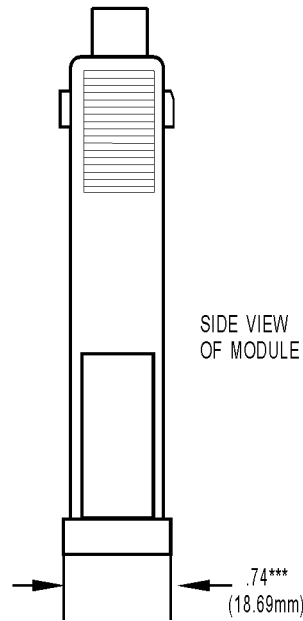
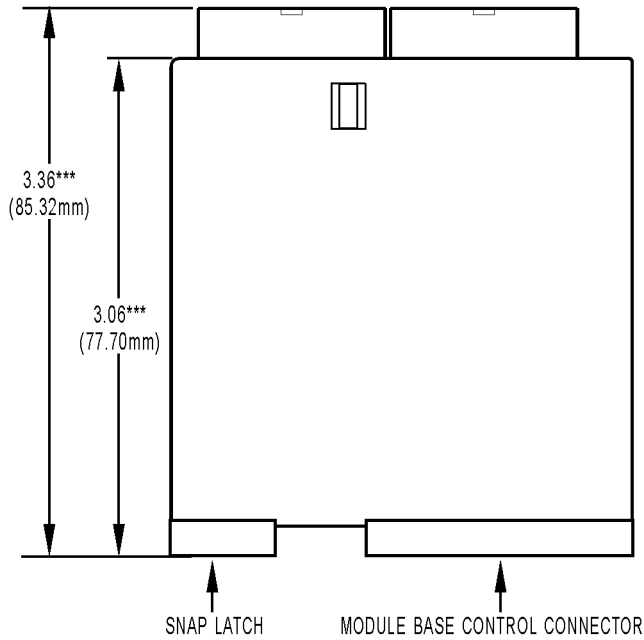
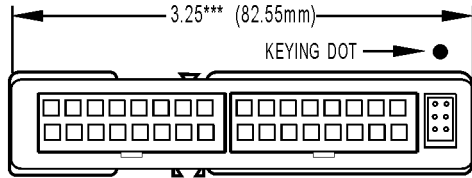
TOLERANCES LEGEND

- * +/- .010"
- ** +/- .020"
- *** +/- .030"
- **** +/- .060"
- NO * REFERENCE ONLY

SNAP High-Density Digital Modules

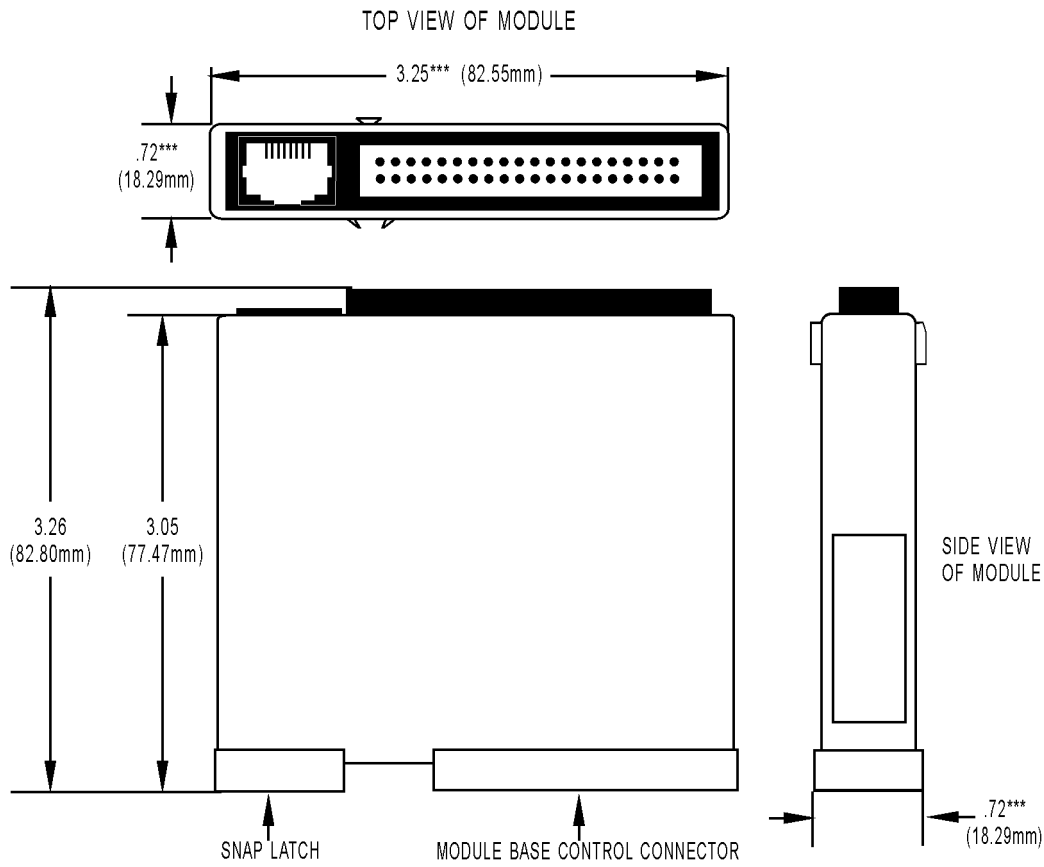
SNAP 16-Point Digital Modules

TOP VIEW OF MODULE



TOLERANCES LEGEND
 * +/- .010" ** +/- .020"
 *** +/- .030" **** +/- .060"
 NO * REFERENCE ONLY

SNAP 32-Point Digital Modules

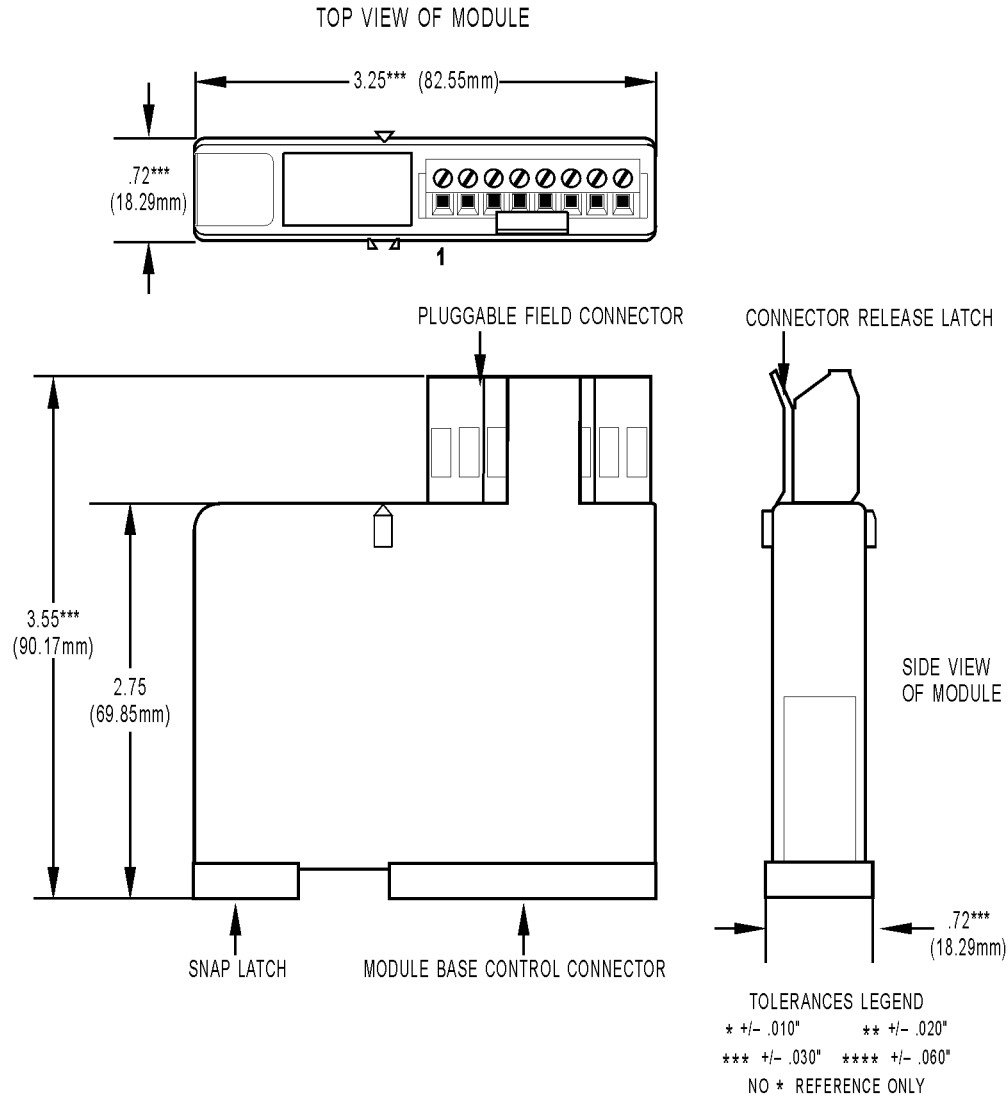


TOLERANCES LEGEND
 * +/- .010" ** +/- .020"
 *** +/- .030" **** +/- .060"
 NO * REFERENCE ONLY

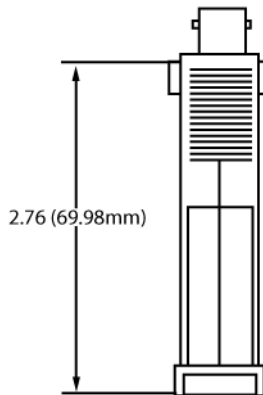
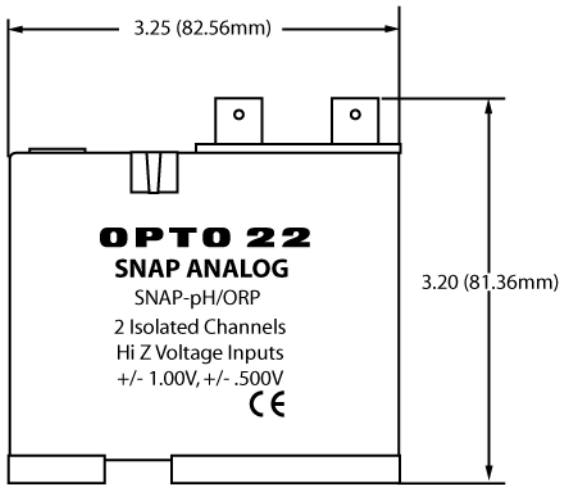
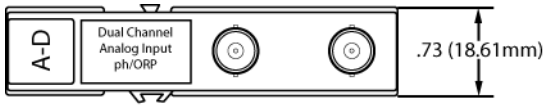
SNAP Analog I/O Modules

SNAP Analog Input Modules—All Two- and Four-Channel Modules

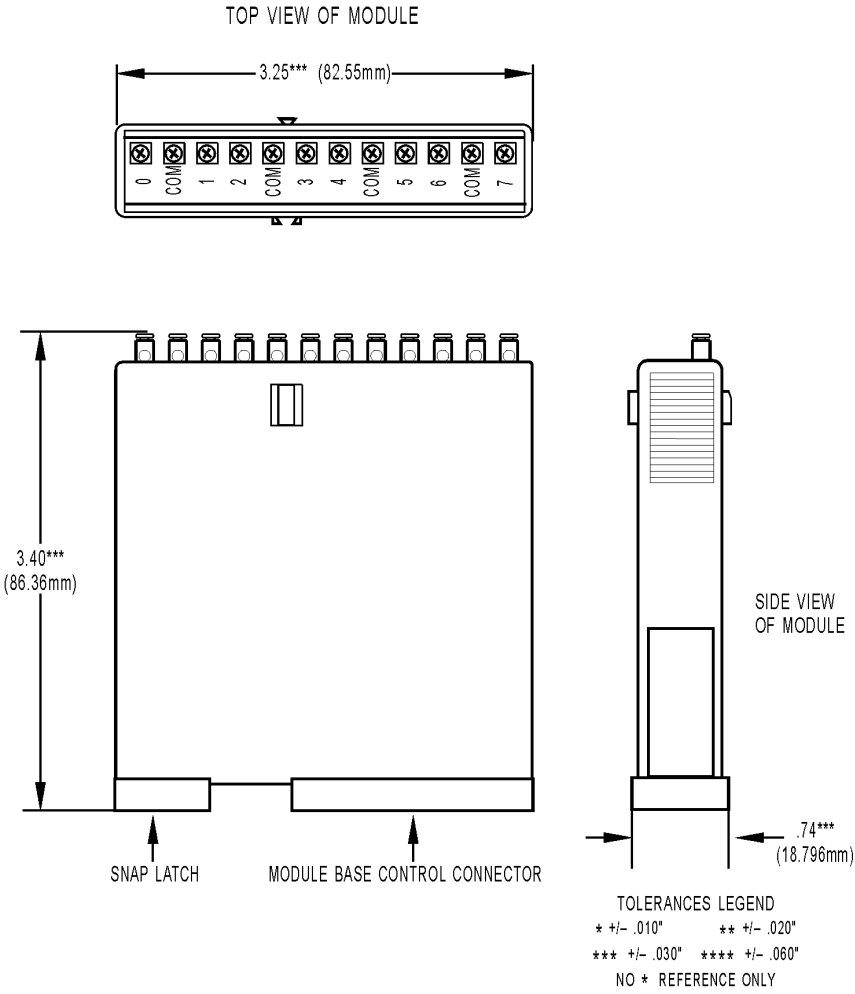
NOTE: For SNAP-AIPM, see page 176.



SNAP-pH/ORP Analog Input Module

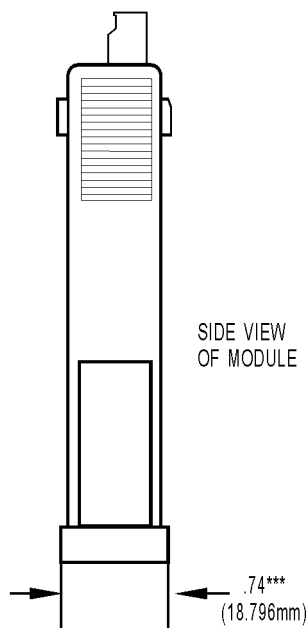
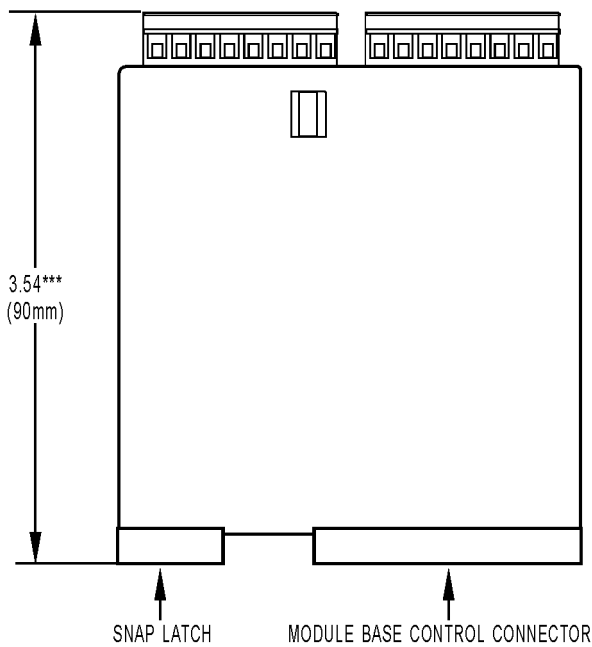
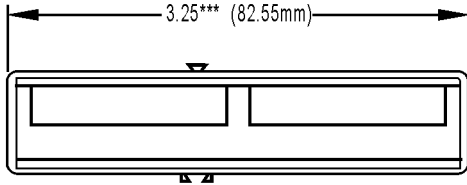


SNAP Analog Input Modules—SNAP-AITM-8 and SNAP-AITM-8-FM



SNAP Analog Input Modules—SNAP-AICTD-8, SNAP-AIMA-8, and SNAP-AIV-8

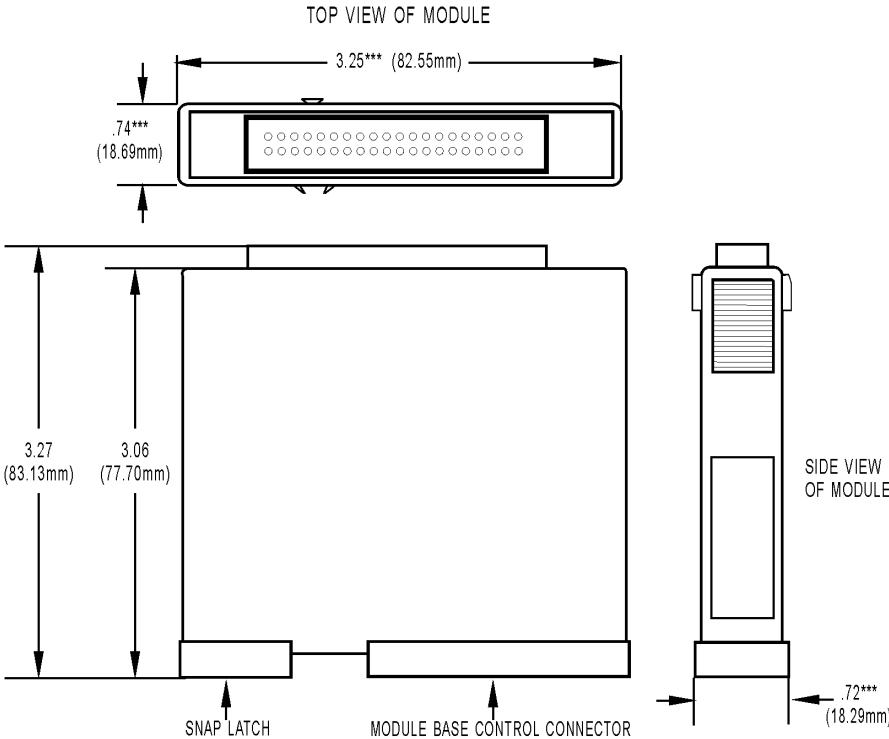
TOP VIEW OF MODULE



TOLERANCES LEGEND
 * +/- .010" ** +/- .020"
 *** +/- .030" **** +/- .060"
 NO * REFERENCE ONLY

SNAP Analog Input Modules—SNAP-AIMA-32 and SNAP-AIV-32

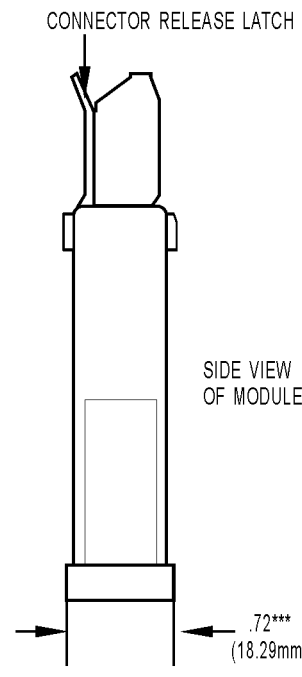
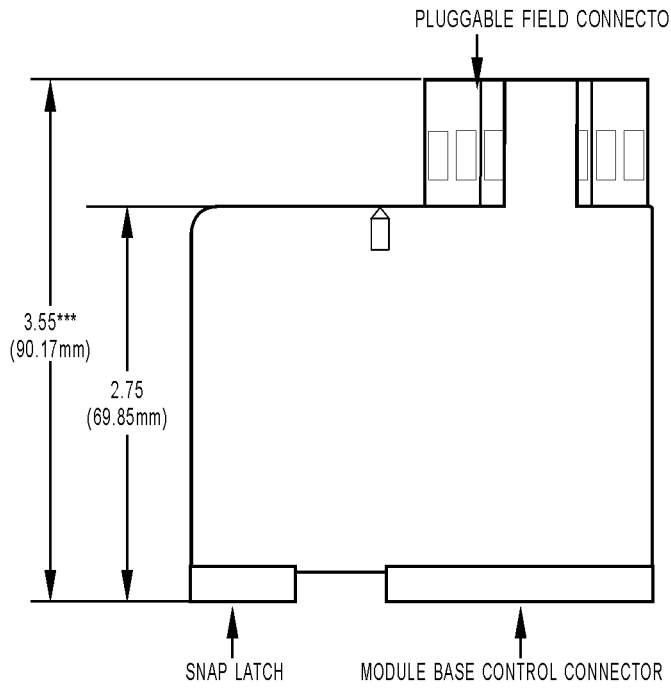
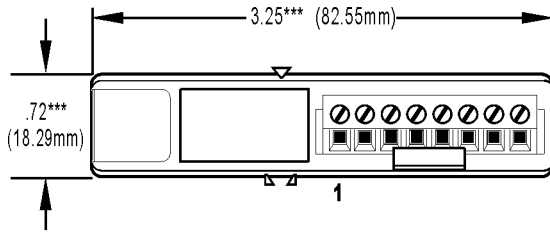
Also applies to SNAP-AIMA-32-FM and SNAP-AIV-32-FM.



TOLERANCES LEGEND
+ +/- .010" ** +/- .020"
*** +/- .030" ***** +/- .060"
NO * REFERENCE ONLY

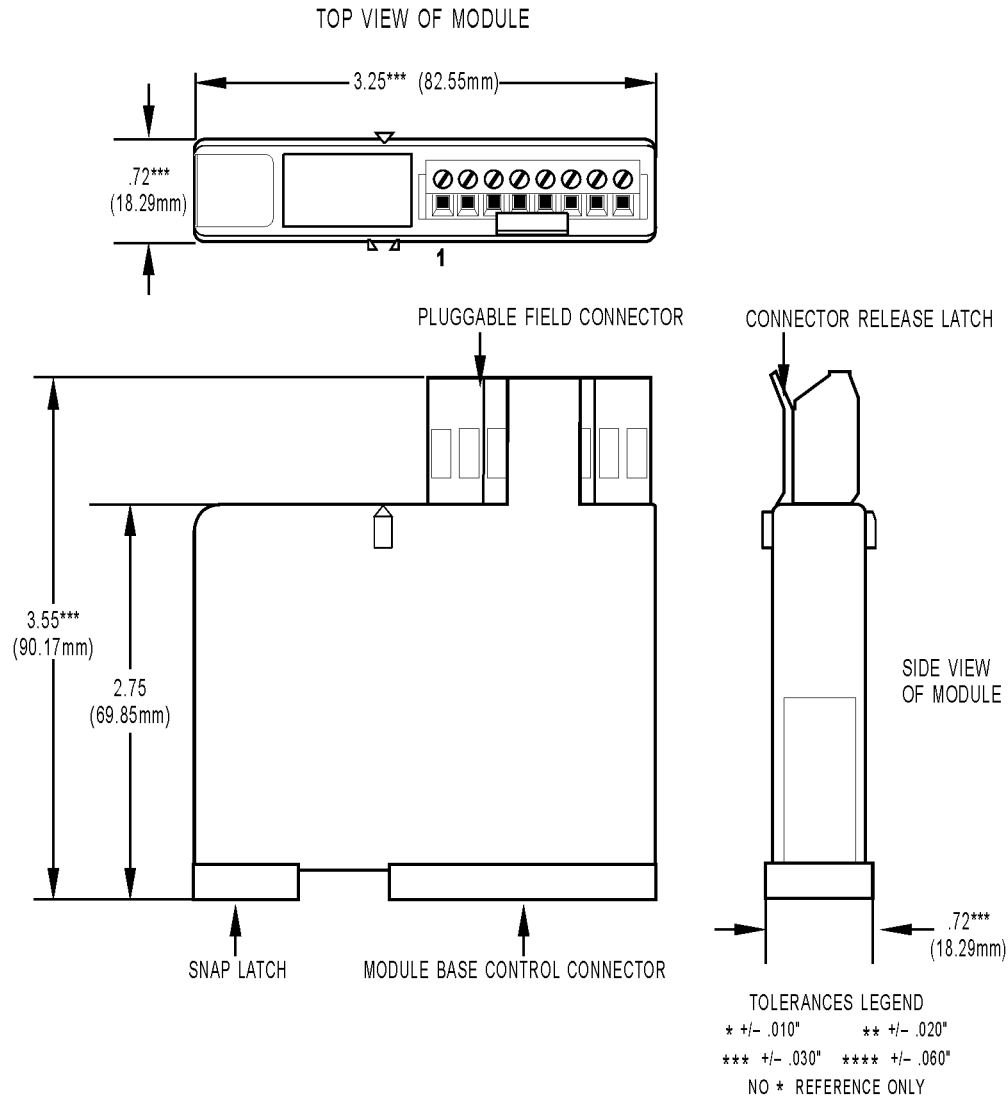
SNAP Analog Input Modules—SNAP-AIPM

TOP VIEW OF MODULE

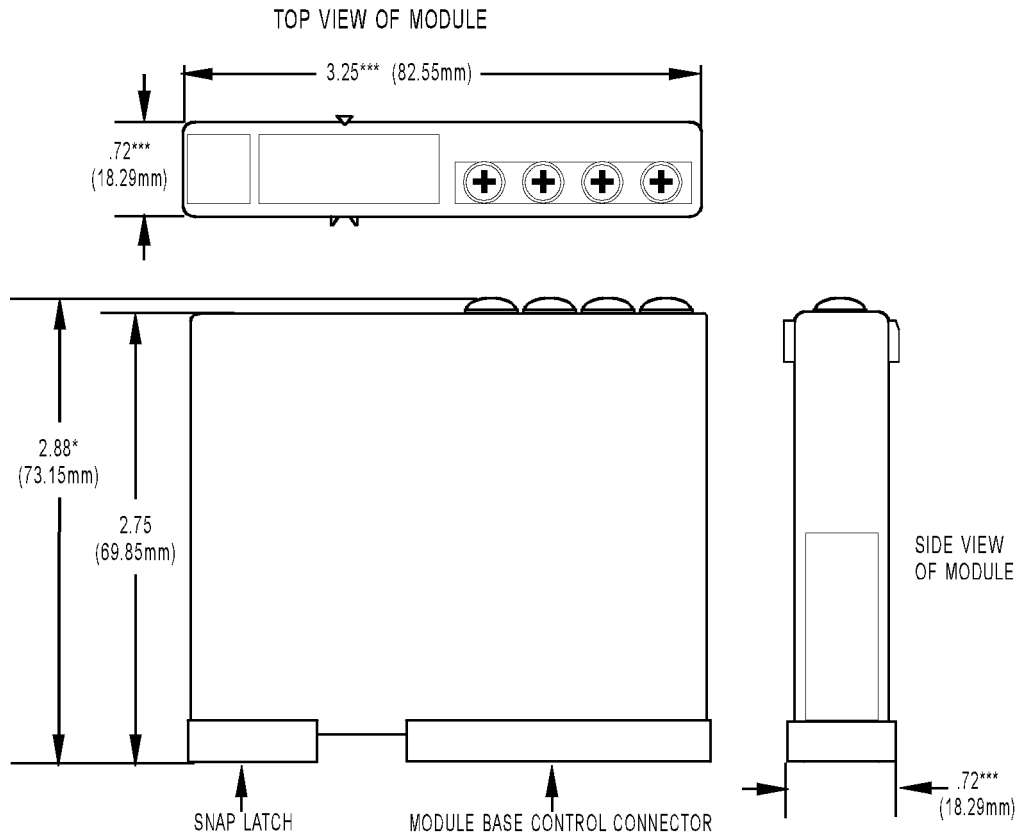


TOLERANCES LEGEND
 * +/- .010" ** +/- .020"
 *** +/- .030" **** +/- .060"
 NO * REFERENCE ONLY

SNAP Isolated Analog Input Modules—All Modules except SNAP-AITM-i and SNAP-AITM2-i



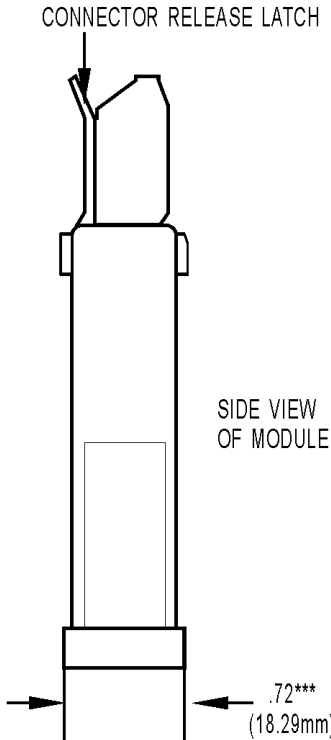
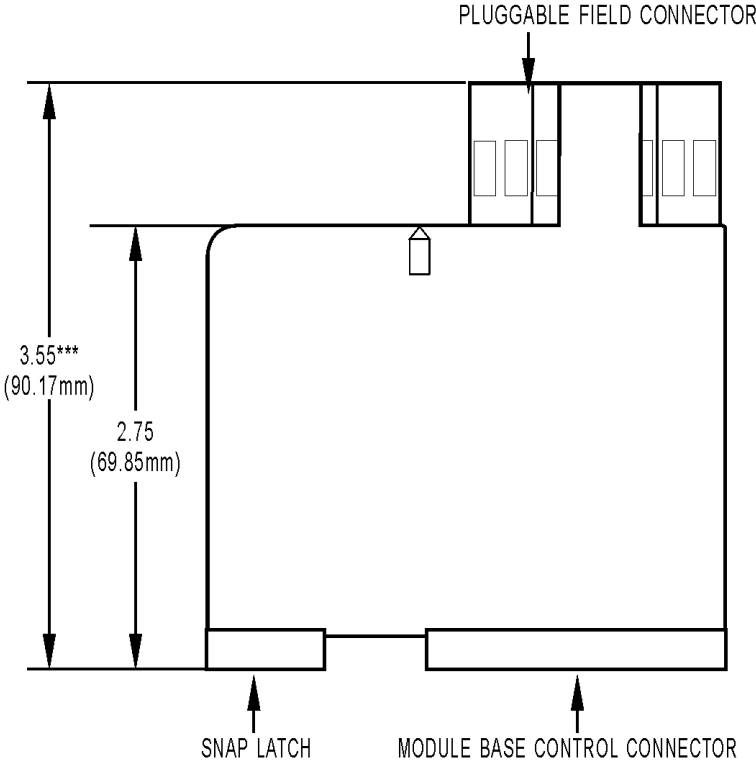
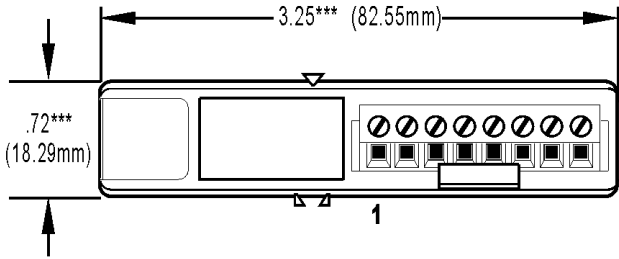
SNAP Isolated Analog Input Modules—SNAP-AITM-i and SNAP-AITM2-i



TOLERANCES LEGEND
 * +/- .010" ** +/- .020"
 *** +/- .030" **** +/- .060"
 NO * REFERENCE ONLY

SNAP Analog Output Modules—All

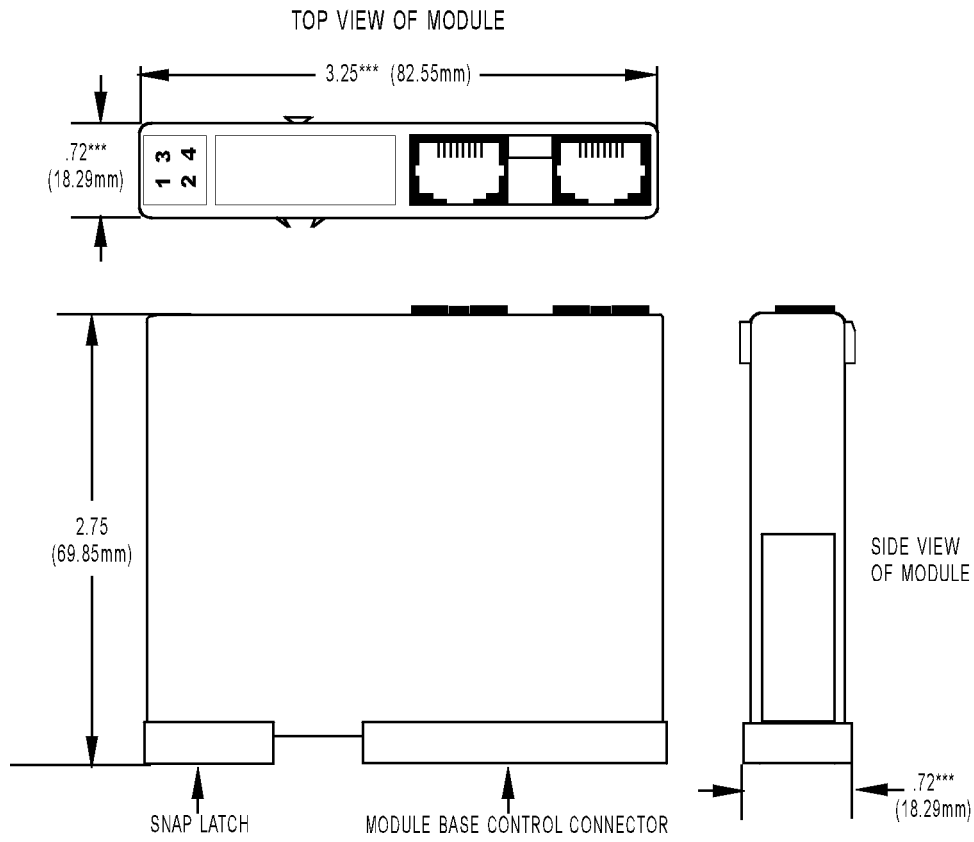
TOP VIEW OF MODULE



TOLERANCES LEGEND
* +/- .010" ** +/- .020"
*** +/- .030" **** +/- .060"
NO * REFERENCE ONLY

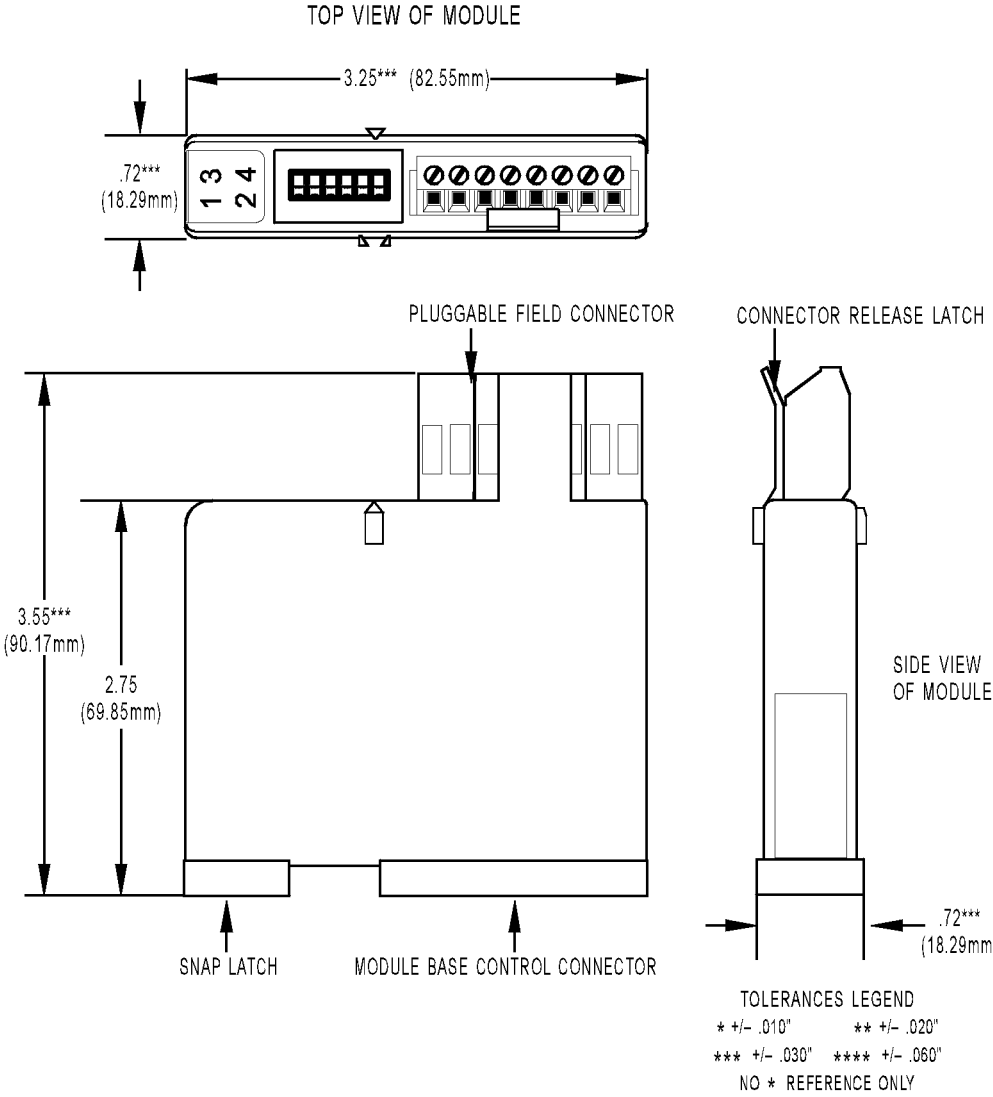
SNAP Serial Modules

SNAP-SCM-232



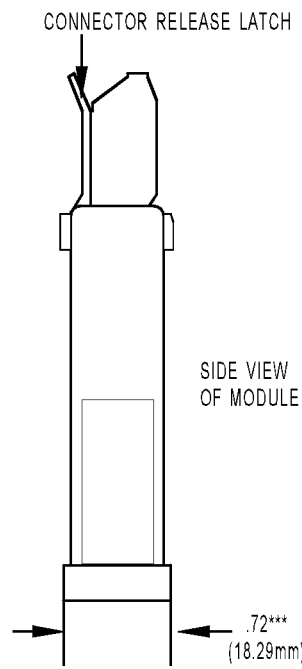
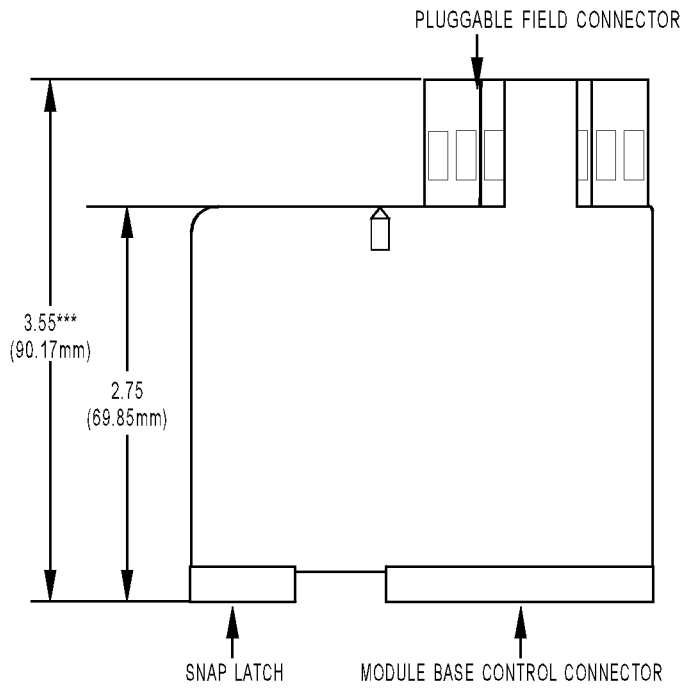
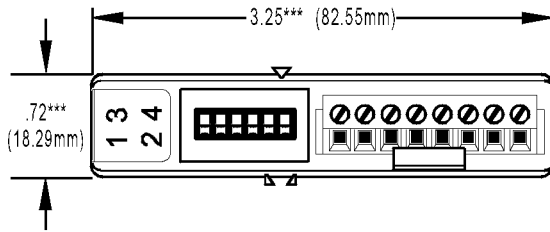
TOLERANCES LEGEND
 * +/- .010" ** +/- .020"
 *** +/- .030" **** +/- .060"
 NO * REFERENCE ONLY

SNAP-SCM-485-422



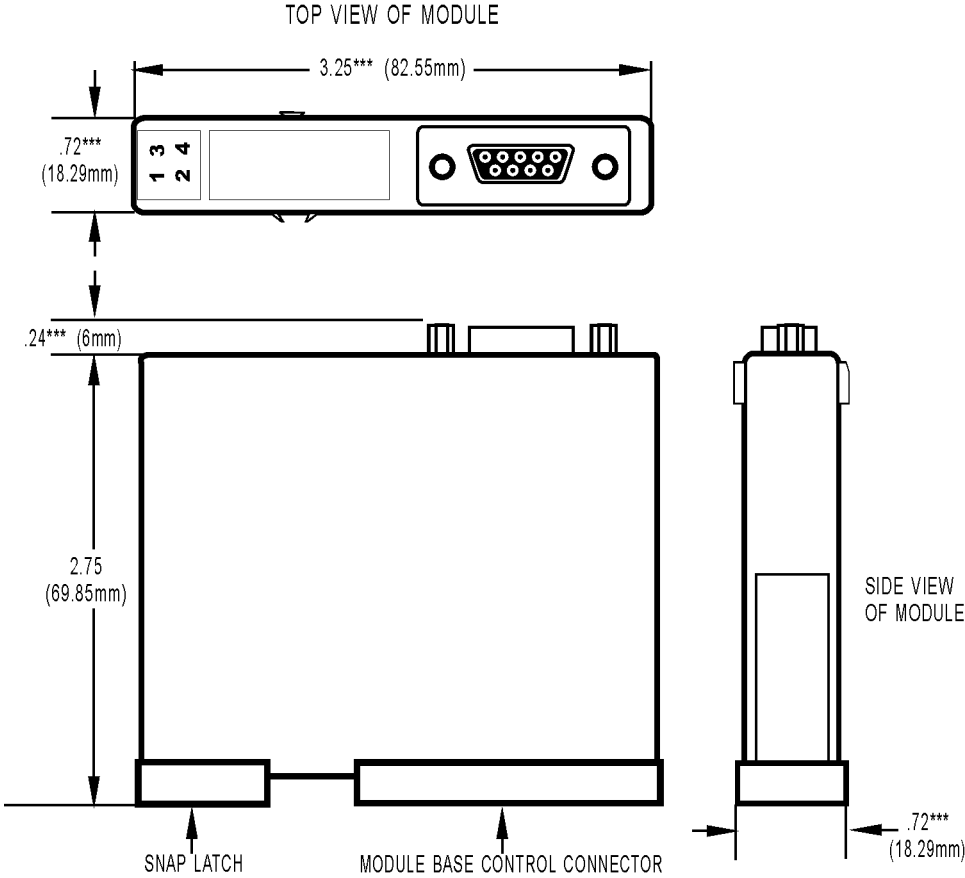
SNAP-SCM-MCH16

TOP VIEW OF MODULE



TOLERANCES LEGEND
 * +/- .010" ** +/- .020"
 *** +/- .030" **** +/- .060"
 NO * REFERENCE ONLY

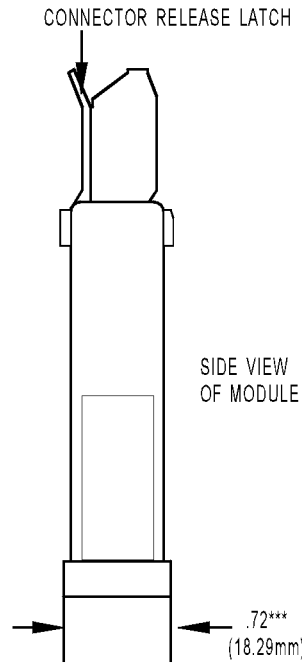
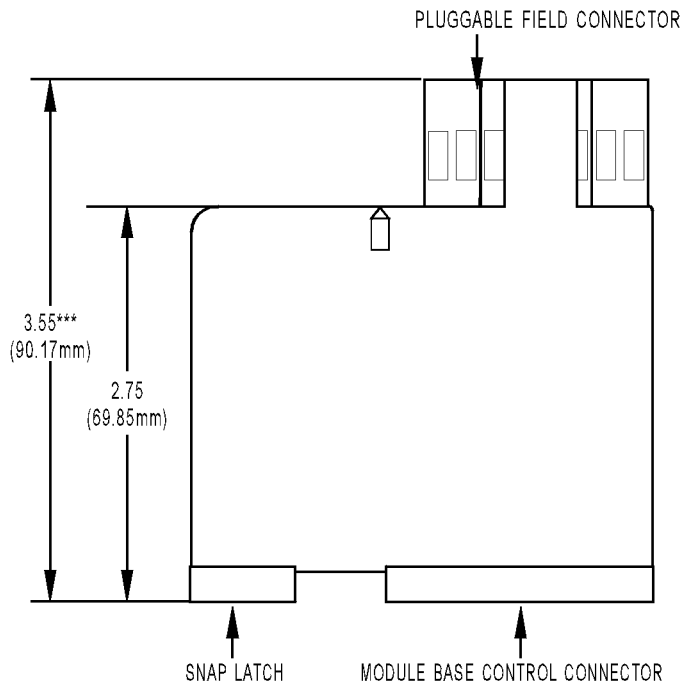
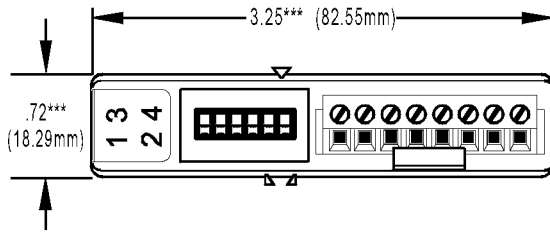
SNAP-SCM-PROFI



TOLERANCES LEGEND
* +/- .010" ** +/- .020"
*** +/- .030" **** +/- .060"
NO * REFERENCE ONLY

SNAP-SCM-W2

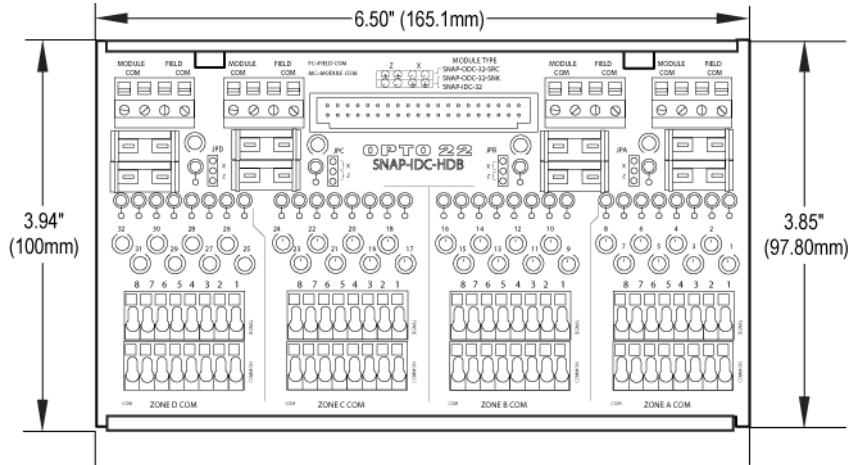
TOP VIEW OF MODULE



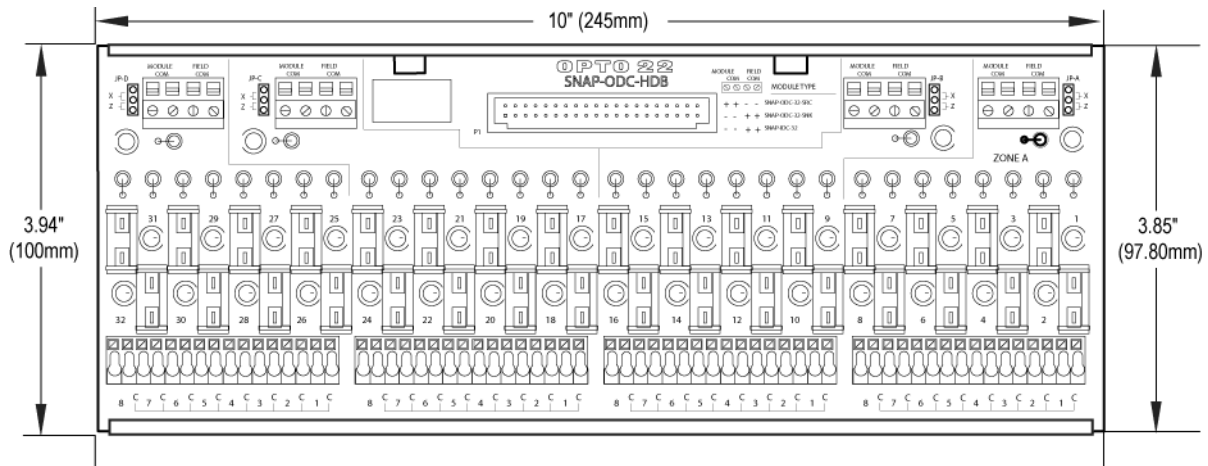
TOLERANCES LEGEND
 * +/- .010" ** +/- .020"
 *** +/- .030" **** +/- .060"
 NO * REFERENCE ONLY

SNAP Breakout Boards and Racks Diagrams

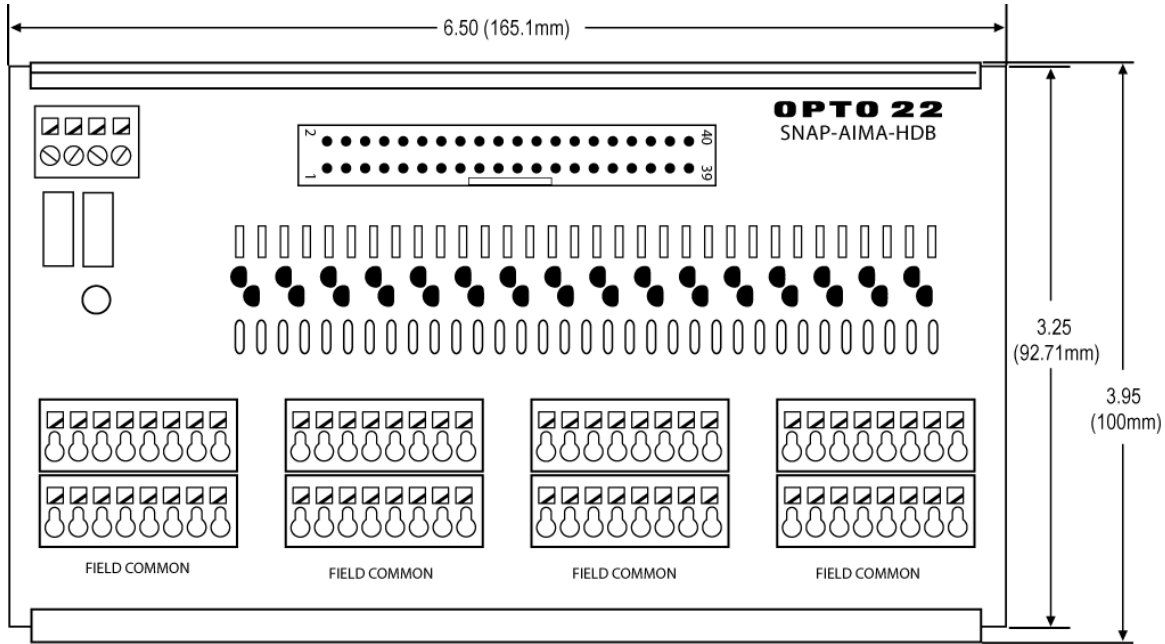
SNAP-IDC-HDB and SNAP-IDC-HDB-FM Breakout Rack



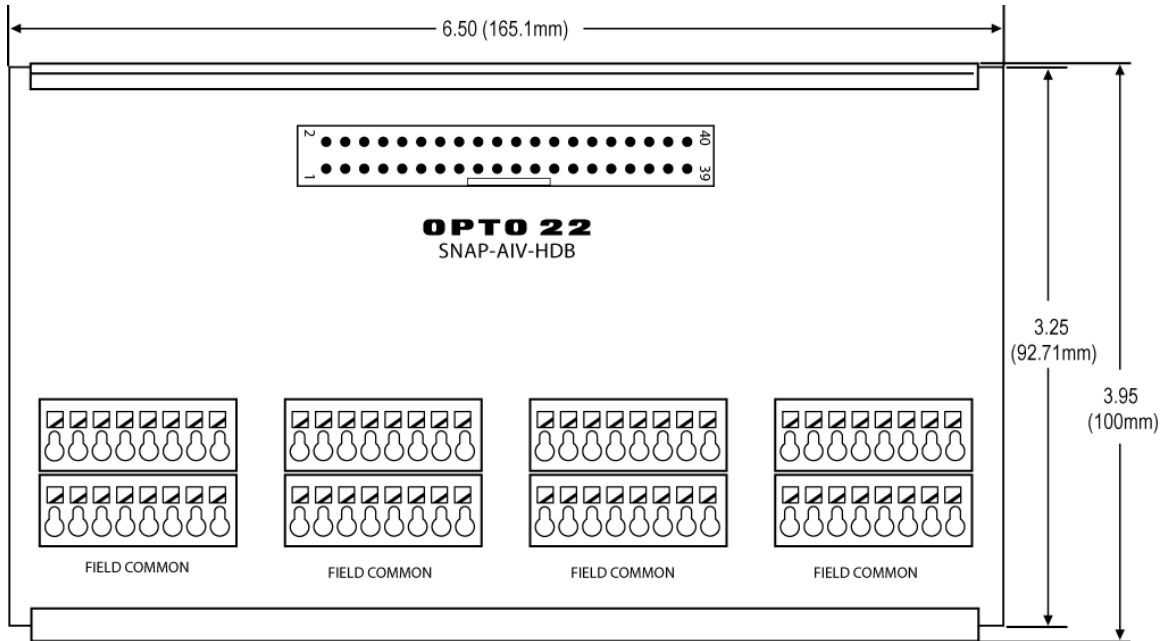
SNAP-ODC-HDB and SNAP-ODC-HDB-FM Breakout Rack



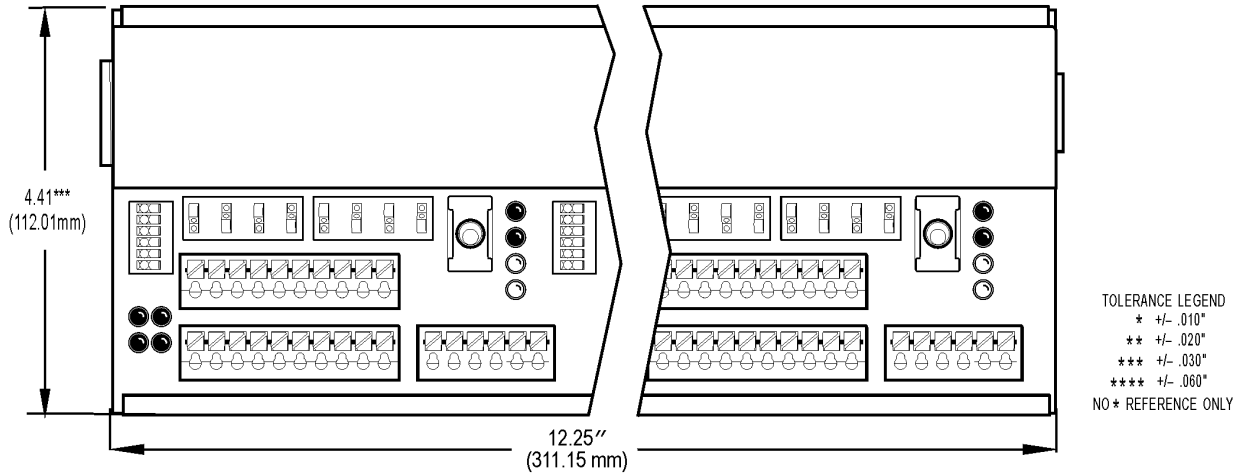
SNAP-AIMA-HDB and SNAP-AIMA-HDB-FM Breakout Racks



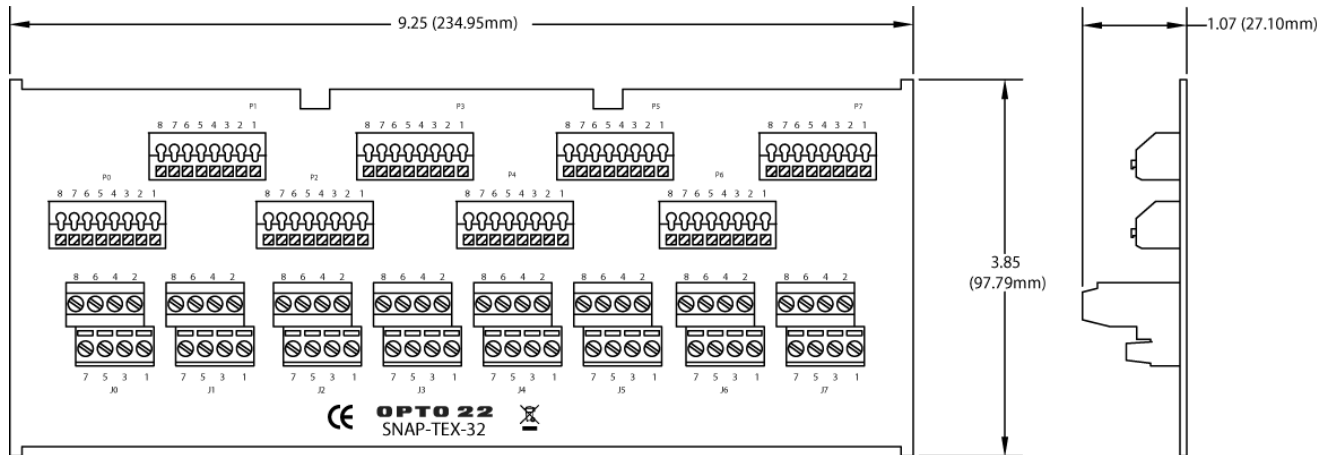
SNAP-AIV-HDB and SNAP-AIV-HDB-FM Breakout Racks



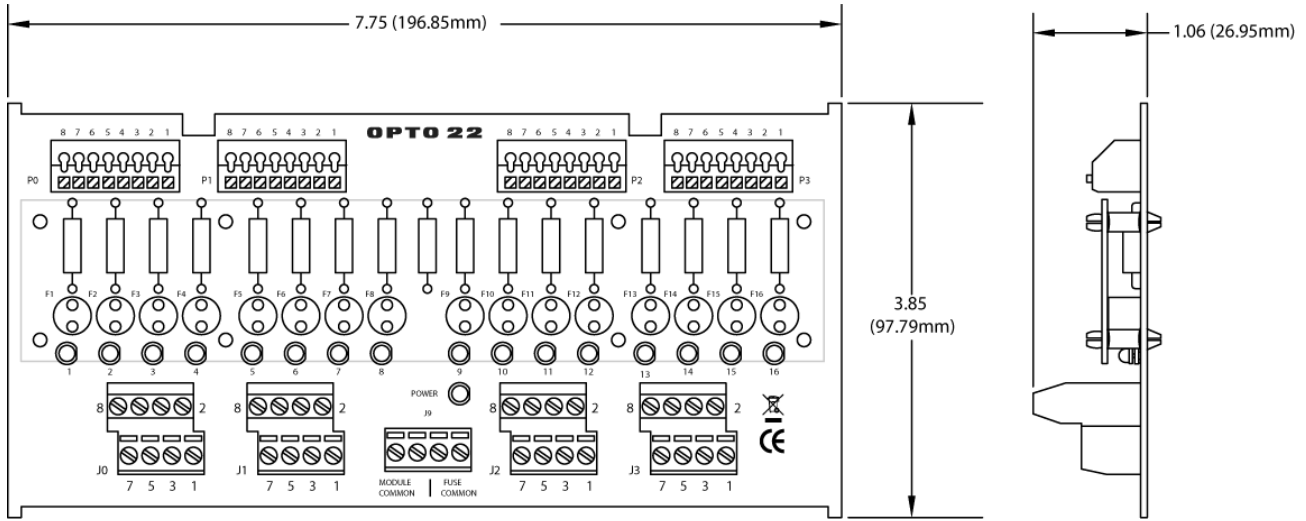
SNAP-SCM-BB4 Breakout Board



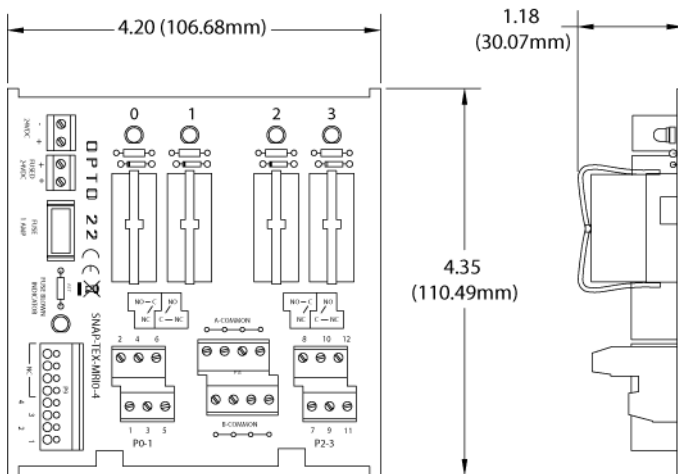
SNAP-TEX-32 Breakout Board



SNAP-TEX-FB160H and SNAP-TEX-FB16-L Breakout Boards



SNAP-TEX-MR10-4 Breakout Board



SNAP-TEX-MR10-16 Breakout Board

